



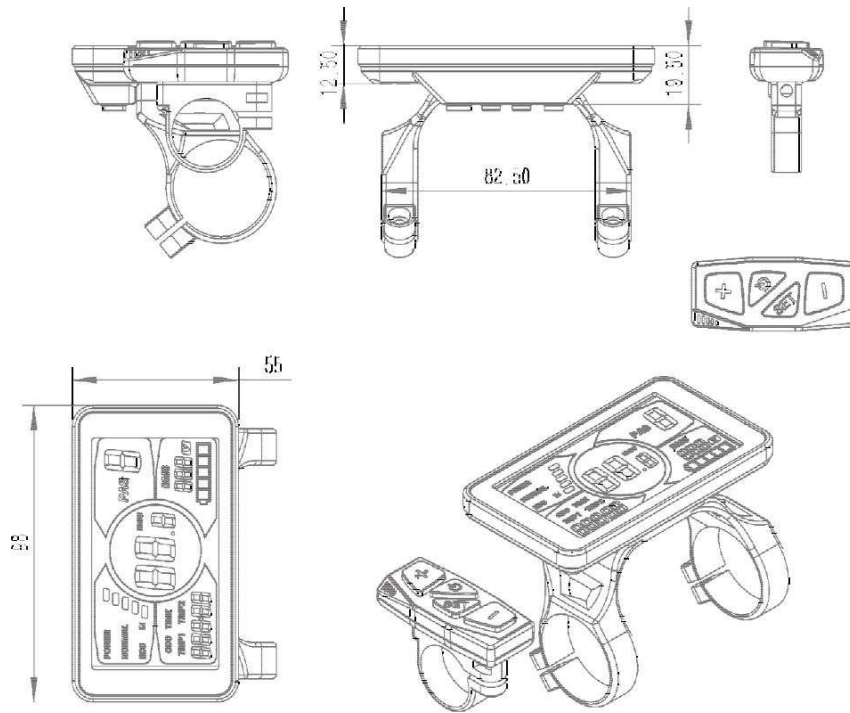
RAVEN PRO C600-LCD INSTRUCTIONS



CONTENTS

DimensionS (unit: mm)	3
Button Definition	3
ON/OFF	5
Current Display	6
Riding Mode Selection	6
Speed Display.....	6
KM/H & MPH	6
Backlight Indicator	7
4MPH Cruise Control	7
PAS Level Selection	7
Error Code Indicator.....	8
SET Operation	8
Riding mode selection.....	8
Reset trip 1 distance	8
Max speed setting.....	8
Wheel diameter setting	9
KM/H & MPH	9
Distance Indicator	9
Odometer.....	9
Trip 1	9
Trip 2	9
Trip Time Indicator.....	9
Battery Indicator	10
Battery residual capacity indicator	10
Low battery flash	10
Cable Definition	10
Auto Sleep After 5 Minutes.....	10
Common Problems & Solutions	11
Error Code Table	11

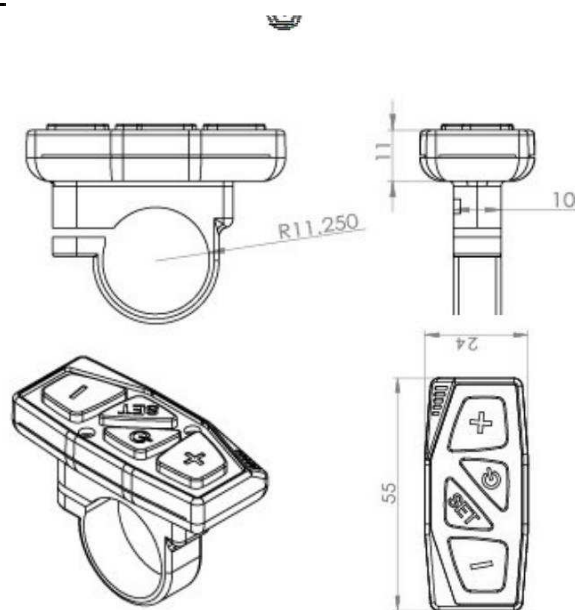
DIMENSIONS (UNIT: MM)



BUTTON DEFINITION

C600 has four buttons

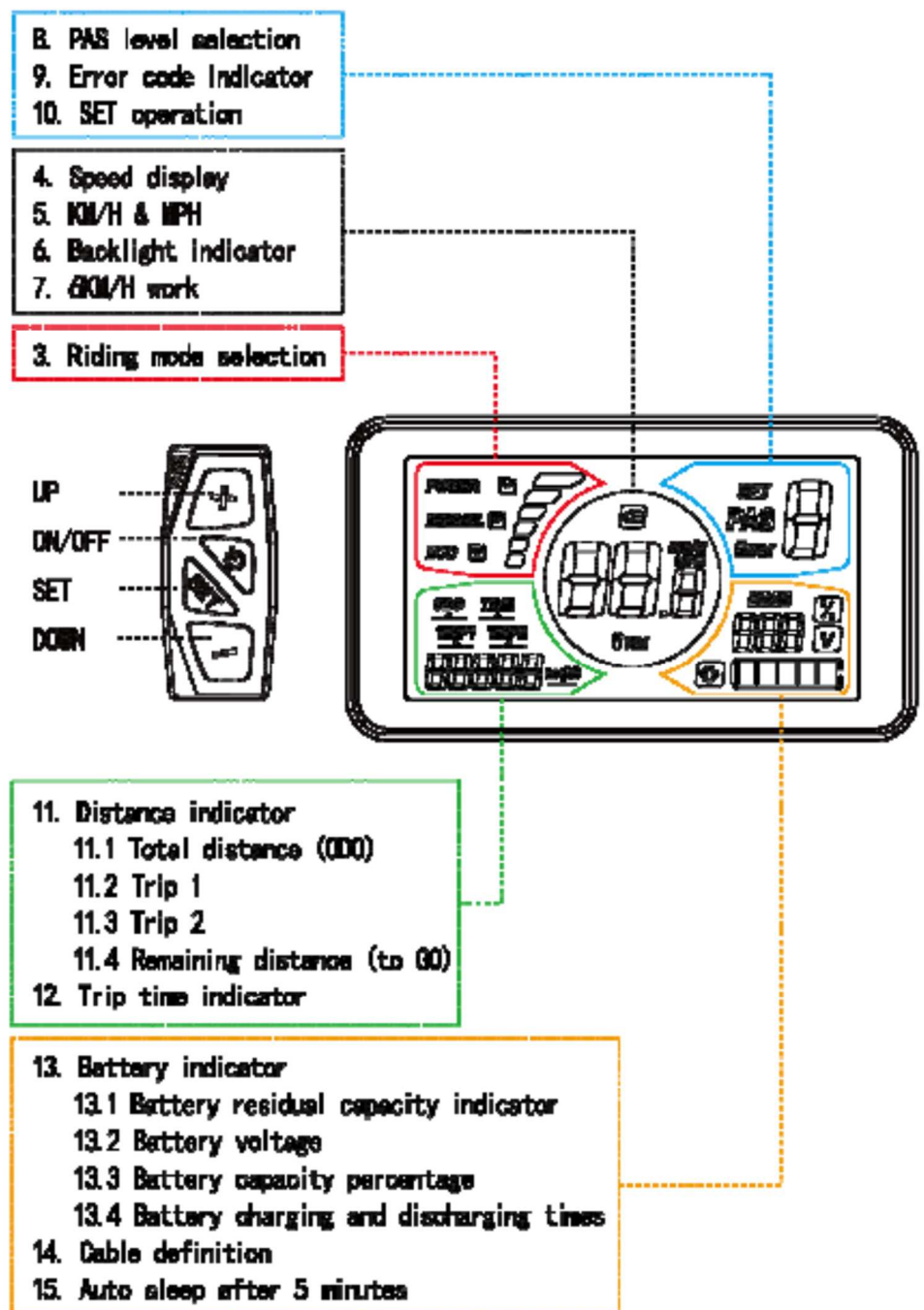
1. ON/OFF
2. SET
3. UP
4. DOWN



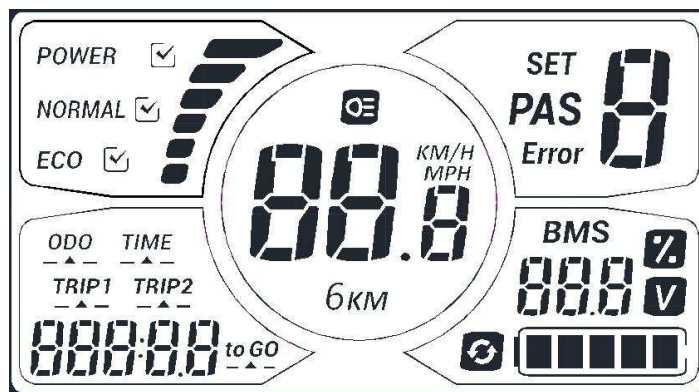
FUNCTION SUMMARY

Equalizer C600 provides a wide range of functions and indicators to fit the users' needs. The indicated contents are as below.

- ON/OFF
- Current display
- Riding mode selection
- Speed display
- KM/H & MPH
- Backlight indicator
- 4 MPH cruise control
- PAS level selection
- Error code indicator
- SET operation
- Distance indicator
- Total distance (ODO)
- Trip 1
- Trip 2
- Trip time indicator
- Battery indicator
- Battery residual capacity indicator
- Battery voltage
- Cable definition
- Auto sleep after 5 minutes



FULL VIEW AREA

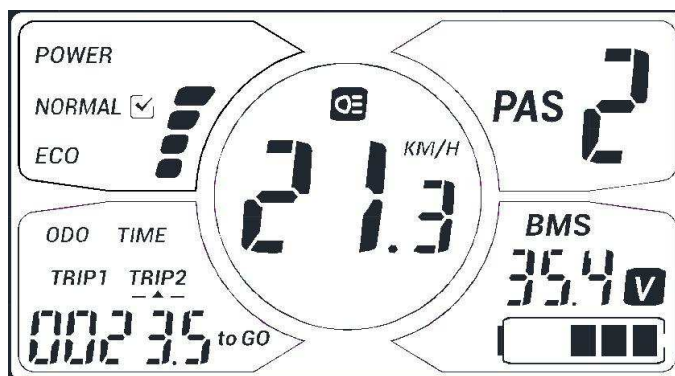


THE HAND THROTTLE OR THUMB THROTTLE

Located by your right hand by pressing down will increase your speed.
This can be engaged at any time the power is on and in any PAS mode.
This system is always on High.

NORMAL VIEW AREA

With the display on, the default display includes riding speed, trip 2, PAS level, and battery indicator as show in the fig below.
Press SET to switch the display information.



NORMAL OPERATION

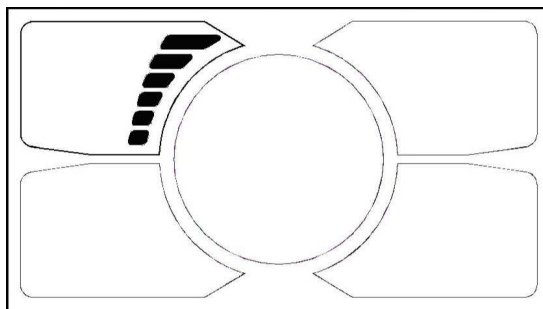
ON/OFF

Hold ON/OFF to start the display. The display will provide power to the controller. Hold ON/OFF again to open the backlight.
With display on, press ON/OFF for 3 seconds to turn off the power. With the display off, there is no battery power consumption.
The leakage current is no more than 2 μ A.

※ The panel will go to sleep when the speed is 0 mph for 5 minutes.

CURRENT DISPLAY

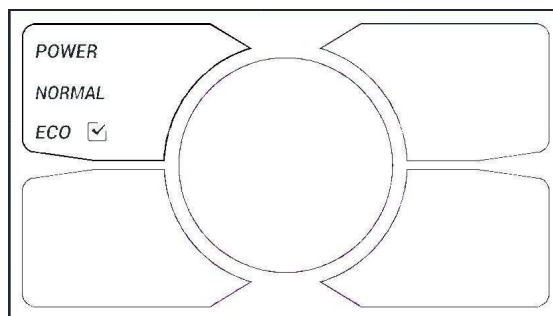
This represents the discharging current of the current controller, each segment is 2A, six segments is $\geq 12A$.



RIDING MODE SELECTION

(To Change See SET Operation, page 8 – includes Set operation and other preferred settings)

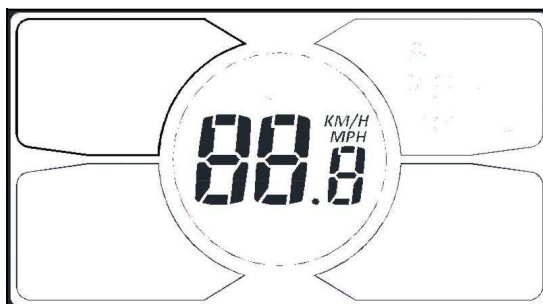
There are three modes for riding with arrow selection, including POWER NORMAL and ECO. The default option is NORMAL.



SPEED DISPLAY

(To Change See SET Operation, page 8 – includes Set operation and other preferred settings)

The speed display is as below and user can select KM/H or MPH in

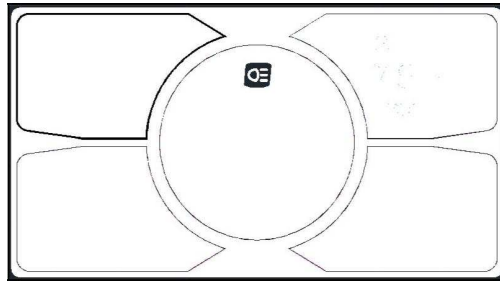


KM/H & MPH

Select KM/H or MPH for the speed and mileage, display will show the currently selected units.

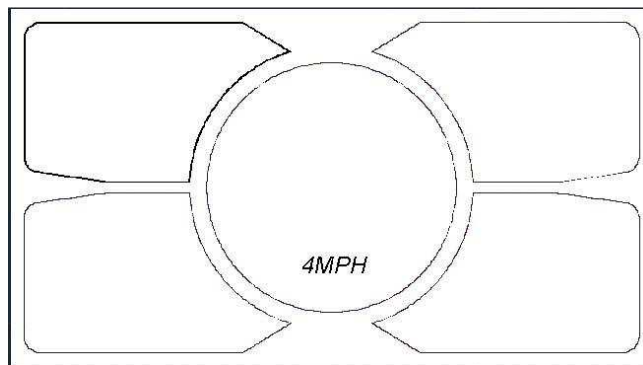
BACKLIGHT INDICATOR

With the power on, click the ON/OFF and turn on the backlight. Click it again and turn off the backlight.



4MPH CRUISE CONTROL

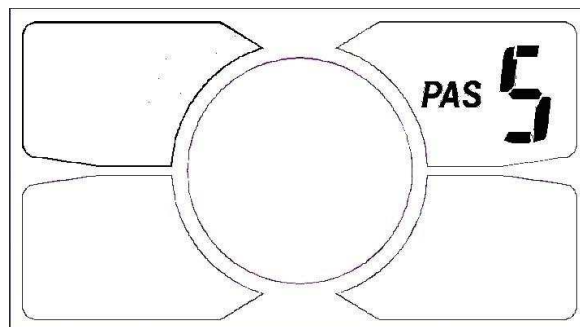
Hold the DOWN button for 2 seconds to get in 4mph PAS mode, and when you release the button, the 4mph PAS mode is off. The display is as below.



PAS LEVEL SELECTION

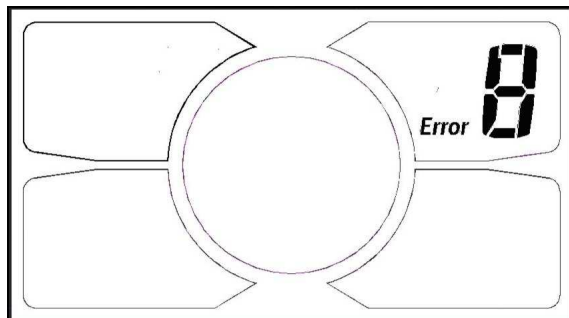
(Pedal Assist System)

Click UP or DOWN to change the stages and output power ratio, the default mode is mode 1 and it's output power range from level 1 to level 5 (mode 6 is 4mph cruise control), the default value is level 1.



ERROR CODE INDICATOR

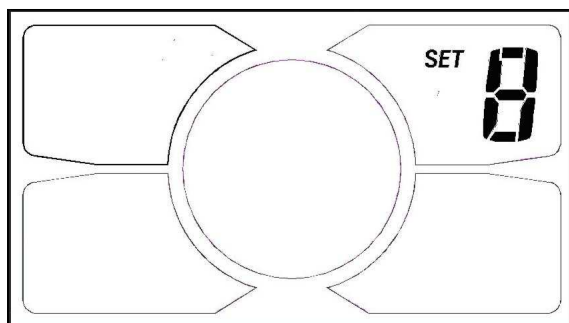
If there is something wrong with the electronic control system, the display will flash at 1 HZ and show the error code automatically. Different error code is corresponding with different fault information, please see the last page Error code table for details.



※ Display will return to normal only after the problem has been fixed. The e-bike will not run until the problem is fixed.

SET OPERATION

Hold the SET for 2 seconds and enter into the setting interface, then Number 8 is lighting, the display will flash at 1 HZ. Click the SET to cycle from 0 to 4 setting interface, press UP or DOWN to select the wanted parameter, and hold the SET for 1 second to exit.



RIDING MODE SELECTION

There are three modes for selection:

1. POWER
2. NORMAL
3. ECO

RESET TRIP 1 DISTANCE

Click the DOWN to reset the trip 1, then the TRIP1 icon will flash at 1 HZ, meanwhile the trip 1 will be cleared.

MAX SPEED SETTING

The max speed is 99.9 km/h for the default. In the SET 2 interface, user can modify the value of max speed, when the riding speed exceeds the set value, the controller will stop supplying power to the e-bike, in order to ensure the safety of rider.

※ The max speed value range from 20 km/h to 99.9 km/h. The max speed displays in speed display area. When set max speed 99.9 km/h, there is no limit for riding speed.

WHEEL DIAMETER SETTING

Select the accurate wheel diameter value to ensure the accuracy of display about speed and mileage.

KM/H & MPH

Select KM/H or MPH for the speed and mileage, display will be the currently selected units display.

※ Press UP or DOWN to select parameter, hold the SET for 1 second to save and exit.

DISTANCE INDICATOR

With the display on, press SET to switch the display information, in turn shows: ODO, trip 1 and trip 2.

ODOMETER

The ODO records the riding mileage, the accumulated value cannot be cleared.

TRIP 1

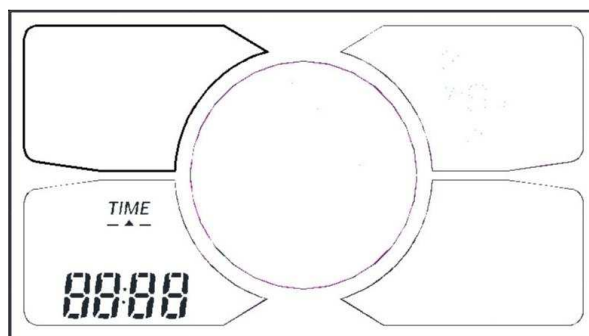
Trip 1 can be reset by hand in the SET 1 interface. when the riding mileage ≥ 300 miles, it will be reset automatically. The value will be accumulated without resetting.

TRIP 2

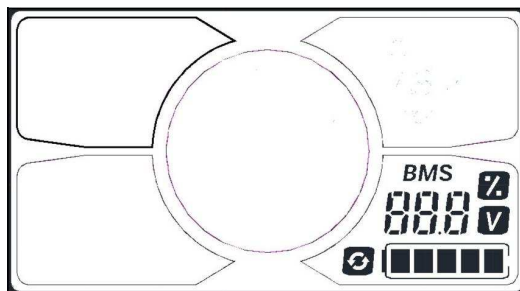
Trip 2 displays the last driving distance for 30 seconds after turning on the display, then resets automatically and starts to record the current distance.

TRIP TIME INDICATOR

The riding time parameter is automatically reset after shut down.



BATTERY INDICATOR



BATTERY RESIDUAL CAPACITY INDICATOR

The battery scale has five segments, each segment represent 20% battery capacity. When the capacity is full, the five segments are all lit. In low battery, the battery scale will flash, it indicates that the battery is severely low and needs to be recharged immediately.

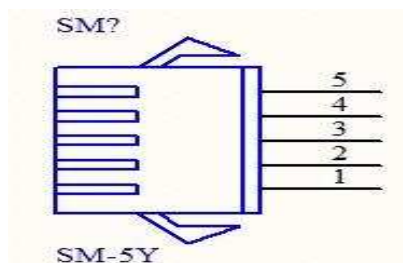


LOW BATTERY FLASH

Battery voltage It displays the current voltage of the battery.

CABLE DEFINITION

1. RED Battery +
2. BLUE Lock
3. BLACK Battery-
4. GREEN:UART-RECEIVE RXD)
5. WHITE: UART- SEND TXD



AUTO SLEEP AFTER 5 MINUTES

When the riding speed is 0 mph for 5 minutes, the system will go to sleep automatically.

COMMON PROBLEMS & SOLUTIONS

Q The display is not able to start up?

A Checking the connector that is between display and controller.

Q How to deal with the error code?

A The error code will give you an idea of what is wrong. You can try and fix the problem.

ERROR CODE TABLE

The error code is corresponding with the fault definition.

Error Code	Definition
0	normal
1	Current error or MOS damaged
2	Throttle error(Start detection)
3	motor no phase position
4	Hall error
5	Brake error(Start detection)
6	Under voltage
7	Motor stalling
8	communication controller receiving error
9	communication display receiving error